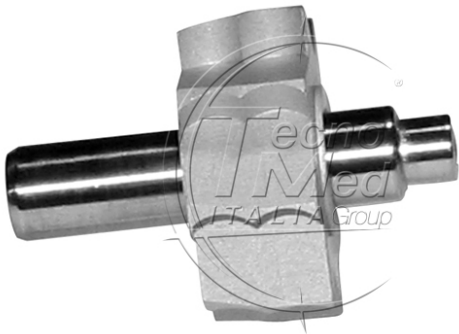


## Rotor, compatible W&H Trend TC80BC-95BC, without bearings



Compatible rotor for W&H Trend TC80B, TC80C, TE-95B and TE-95C high speed handpiece, supplied without bearings.

**Available**

**SKU:** SC01W

**Categories:** Trend

### Description

---

Compatible rotor for W&H Trend TC80B, TC80C, TE-95B and TE-95C high speed handpiece, dental turbine spare part supplied without bearings.

### Handpiece compatibility

- W&H Trend TC80B
- W&H Trend TC80C
- W&H Trend TE-95B
- W&H Trend TE-95C

### Technical features

- Dynamically balanced rotor
- Serial number identification
- Bur gripping force >40 Newton
- 12-month warranty
- Compliant with EN ISO 13485, EN ISO 10993-1, EN ISO 17665-1, EN ISO 5349