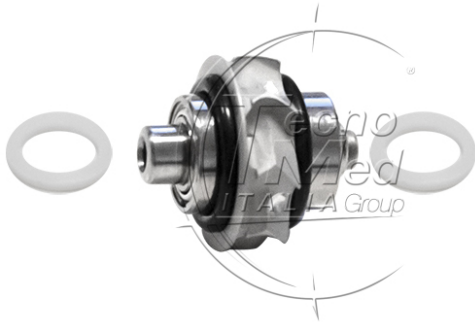


## Rotor compatible Sirona T2/T3 Boost, NH-SS<700K, Myonic ceramic bearings



Compatible rotor for Sirona T2/T3 Boost high speed handpiece, supplied with Myonic torlon ceramic bearings, for units with SN from 600000 to 699999.

**Available on request**

**SKU:** R050TK

**Categories:** Boost

### Description

---

The **compatible rotor for Sirona T2 / T3 Boost high speed handpiece dental turbine** is a spare part supplied with **Myonic torlon ceramic bearings**.

#### Handpiece compatibility

- Sirona T1 Boost\*
- Sirona T2 Boost\*
- Sirona T3 Boost\*

\*with SN from 600000 to 699999

#### Technical features

- Myonic torlon ceramic bearings
- Dynamically balanced rotor
- Identified with serial number
- Bur gripping force >40 Newton
- 12-month warranty
- Compliant with EN ISO 13485, EN ISO 10993-1, EN ISO 17665-1, EN ISO 5349 standards