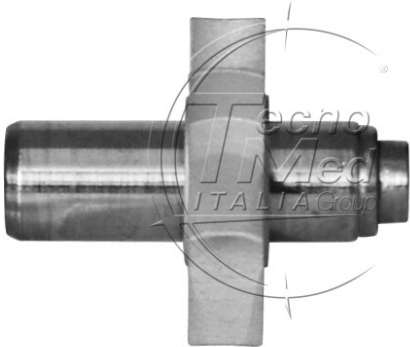


Rotor, compatible NSK T-MAX X500, without bearings



Compatible rotor for NSK Ti-Max X500 and X500L dental high speed handpieces, supplied without bearings.

Estimated shipping in 30 days

SKU: SCX50

Categories: T-Max

Description

NSK Ti-Max X500 X500L compatible rotor for high speed handpiece, replacement rotor for dental turbine supplied without bearings.

Turbine compatibility

- NSK Ti-Max X500
- NSK Ti-Max X500L

NSK turbine series code: **TiX-MU03**

Technical features

- Dynamically balanced rotor
- Serial number identification
- Bur holding force >40 Newton
- 12-month warranty
- Compliant with EN ISO 13485, EN ISO 10993-1, EN ISO 17665-1, EN ISO 5349 standards