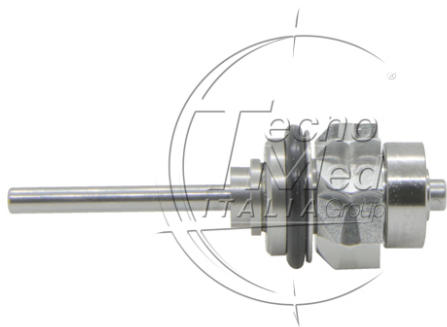


Rotor compatible NSK PANA-MAX,PAX SU03



Compatible **NSK PANA-MAX dental high speed handpiece rotor cartridge** for **N5000**, supplied with torlon ceramic bearings, for standard head turbine series **PAXSU**.

Available

SKU: HNK0772

Categories: NSK

Description

The **NSK PANA-MAX Standard N5000 PAXSU dental high speed handpiece rotor cartridge** is a compatible replacement for a standard head turbine, supplied with torlon ceramic bearings.

Turbine compatibility

- NSK PANA MAX Standard N5000

NSK turbine series code: **PAXSU**

Technical features

- Supplied with torlon ceramic bearings
- Dynamically balanced rotor
- Serial number identification
- Bur gripping force >40 Newton
- 12-month warranty
- Compliant with EN ISO 13485, EN ISO 10993-1, EN ISO 17665-1, EN ISO 5349