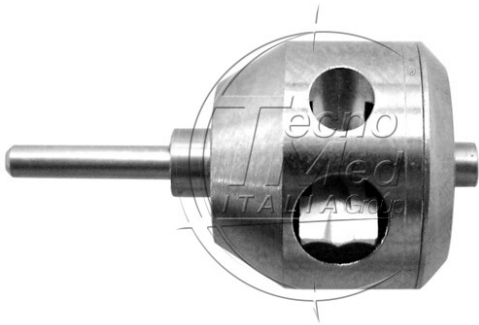


Rotor, compatible Nsk Pana Air Torque, torlon steel bearings



Compatible rotor for NSK Pana Air Torque dental high speed handpiece, supplied with torlon steel bearings

Shipping expected in approximately 30 days

SKU: HNK85T

Categories: Pana Air

Description

Compatible rotor for NSK Pana Air Torque high speed handpiece, replacement part for torque head turbines supplied with torlon steel bearings.

Turbine compatibility

- NSK Ti-Max Pana Air Torque

NSK turbine series code: **NPA-TU03**

Technical features

- Torlon steel bearings
- Dynamically balanced rotor
- Serial number identification
- Bur gripping force >40 Newton
- 12-month warranty
- Compliant with EN ISO 13485, EN ISO 10993-1, EN ISO 17665-1, EN ISO 5349