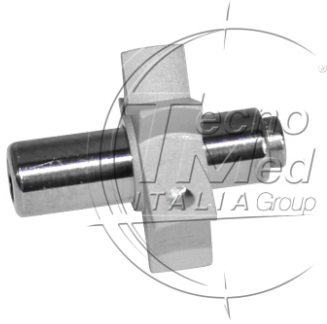


Rotor, compatible Kavo 637, without bearings



Compatible rotor for KaVo Bella-Torque Mini 637B and 637C dental high speed handpiece, supplied without bearings.

Estimated shipping in 30 days

SKU: SC637K

Categories: 637

Description

Compatible rotor for KaVo Bella-Torque Mini 637B and 637C, spare part for dental high speed handpiece, supplied without bearings.

Handpiece compatibility

- KaVo Bella-Torque Mini 637B
- KaVo Bella-Torque Mini 637C

Technical features

- Dynamically balanced rotor
- Serial number identification
- Bur gripping force >40 Newton
- 12-month warranty
- Compliant with EN ISO 13485, EN ISO 10993-1, EN ISO 17665-1, EN ISO 5349