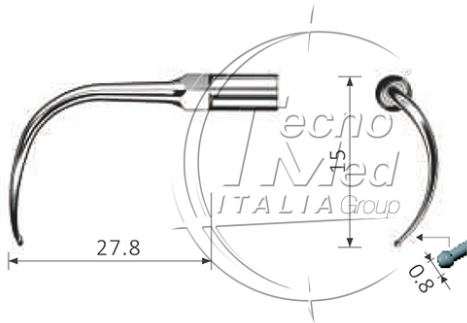


Perio tip for SINE WAVE DRIVE scaler, compatible P54L, PL4, P25LE



Titanium perio tip for biofilm removal and space treatment.
Compatible Woodpecker P54L, EMS PL4, NSK/E P25LE

Available

SKU: PG054LT

Categories: EMS - Woodpecker

Description

The Sine Wave Drive perio tip for scaler compatible with Woodpecker P54L, EMS PL4 and NSK P25LE is a titanium tip designed for periodontal treatment and biofilm removal in hard-to-reach spaces.

Its slim shape allows access to deep pockets and narrow areas, supporting precise root debridement during periodontal procedures. It is also suitable when the operating space between teeth, crowns or prosthetic elements is limited and a delicate, controlled tip is required.

Specifications

- Compatible with Woodpecker P54L, EMS PL4 and NSK P25LE
- Suitable for use with compatible Sine Wave Drive scalers
- For professional dental use