

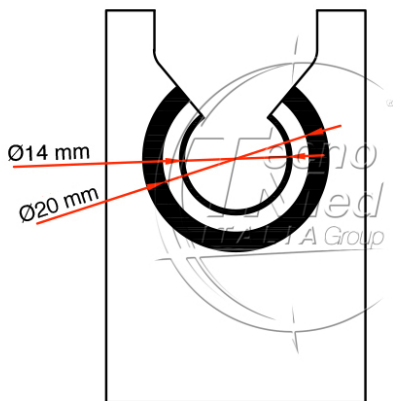
Piezosurgery Handpiece Holder for Easy Tray Arm

Piezosurgery handpiece holder for installation on Easy Tray arm for 5-tray medical trolleys.

Available

SKU: DE1003X.2

Categories: Handpiece Holders & Accessories



Description

The **piezosurgery handpiece holder** is designed for installation on the **Easy Tray arm**, compatible exclusively with 5-tray Easy Tray medical trolleys. It ensures secure and easily accessible positioning of the handpiece, improving workstation organisation during surgical and clinical procedures.

The holder keeps the handpiece correctly positioned on the trolley, supporting an orderly and efficient workflow. Integration on the Easy Tray arm allows positioning to be adapted to operational needs, enhancing ergonomics and continuity during clinical activity.