

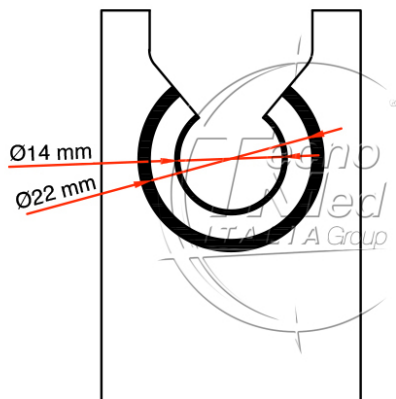
Type A Implant Handpiece Holder for Easy Tray Arm

Type A implant handpiece holder for installation on Easy Tray arm for 5-tray medical trolleys.

Available

SKU: DE1003X.1

Categories: Handpiece Holders & Accessories



Description

The **Type A implant handpiece holder** is designed for installation on the **Easy Tray arm**, compatible exclusively with 5-tray Easy Tray medical trolleys. It provides stable and orderly support for implant handpieces, improving access during clinical procedures.

The holder keeps the handpiece correctly positioned on the workstation, supporting efficient space management and better trolley organisation. Integration on the Easy Tray arm allows positioning to be adapted to operator needs, enhancing ergonomics and workflow continuity.