

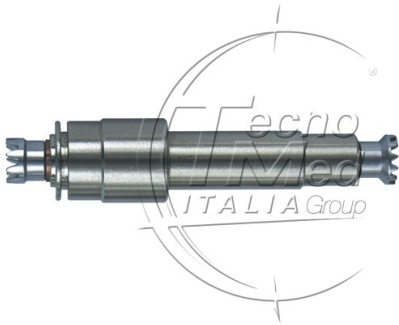


Drive shaft , W&H contra angle compatible

Estimated shipping in 30 days

SKU: 0300TMRC58

Categories: Intermediate shaft



Description
