

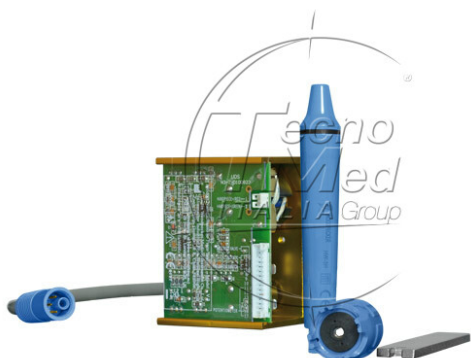
## Built-in kit Woodpecker UDS-N3 scaler + HW-3H handpiece, EMS compatible

Woodpecker built-in power scaling unit, EMS compatible, complete kit

**Available**

**SKU:** AG046B

**Categories:** Integrated Scalers



### Description

The **UDS-N3 Woodpecker built-in scaler HW-3H handpiece Kit** is the perfect choice for dental professionals seeking an integrated scaler directly connected to their dental unit, providing maximum convenience during clinical procedures. This kit includes the built-in scaler and the HW-3H handpiece, both compatible with EMS tips, ensuring versatility and reliability.

The UDS-N3 system is designed to be built into the dental unit, allowing professionals to have the instrument always within reach without the need for external devices. Its compatibility with EMS® tips allows the use of a wide range of inserts to meet various clinical needs, from tartar removal to endodontic procedures. Additionally, the HW-3H handpiece is lightweight and easy to handle, ensuring comfort even during long sessions.

One of the key strengths of this scaler is its user-friendly design, making it ideal for both experienced professionals and those who prefer an intuitive system. The HW-3H handpiece, weighing only 48 grams, minimizes fatigue during use and provides a secure, ergonomic grip. Despite the absence of fiber optics, the UDS-N3 Kit delivers high efficiency through piezoelectric technology, ensuring precise and consistent performance. The adjustable ultrasonic frequency, ranging from 28kHz ± 3kHz, allows treatments to be customized according to the patient's needs, ensuring optimal results in every procedure.

#### Kit includes:

- UDS-N3 piezoelectric scaler for dental unit integration
- HW-3H handpiece compatible with EMS® tips
- Set of EMS® or Satelec® compatible tips (depending on selection)

#### Technical specifications:



- Tip compatibility: EMS®
- Connection compatibility: EMS® cord
- Fiber optics: No
- Power supply: 24VAC
- Ultrasonic frequency: 28kHz ± 3kHz
- Handpiece weight: 48g
- Control unit dimensions: 74 x 56 x 38 mm

The UDS-N3 Woodpecker Kit is an essential tool for those seeking efficiency and convenience without sacrificing quality and precision, ensuring professionals have an integrated instrument always at hand for dental procedures.

Technical features Built-in kit Woodpecker UDS-N3 scaler + HW-3H handpiece, EMS compatible.

Tip compatibility	Ems®
Coupling compatibility	Ems® cord
Optic fibre	No
Power supply	24VAC
Ultrasonic frequency	28kHz +/- 3kHz
Handpiece weight (g)	48
Control card dimensions (w×l×h mm)	74 x 56 x 38