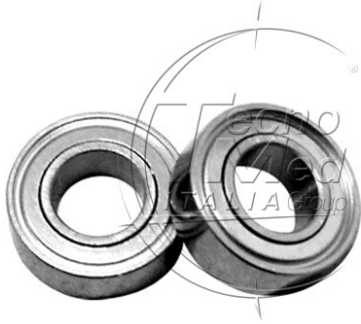


Low speed handpiece bearing 4.7×9.525×3.175mm, smooth, steel balls



Bearing for low speed handpiece, 4.7×9.525×3.175mm dimensions, smooth, steel cage, steel balls, closed on both sides, Tecnomed Italia brand.

Available

SKU: CM535

Categories: Internal diameter 4-5

Description

Low speed handpiece bearing 4.7×9.525×3.175mm smooth, Tecnomed Italia, spare bearing for dental handpieces, with steel cage and steel balls.

Technical features

- Dimensions: 4.7×9.525×3.175mm
- Smooth bearing
- Steel cage
- Steel balls
- Radial contact
- ABEC 7 class
- Bearing closed on both sides
- Tecnomed Italia brand
- 12-month warranty