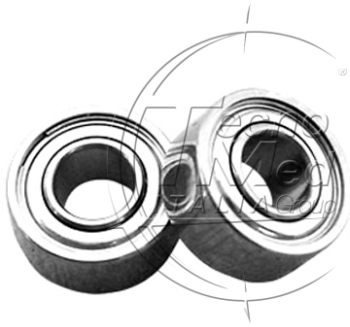


Bearing, low speed, 4x9x4 steel, ZZ



Available

SKU: CM421

Categories: Internal diameter 4-5

Description

Low-speed bearing 4x9x4mm, steel with ZZ shield. Suitable for micromotors and dental handpieces, ensures durability and precision in demanding applications.