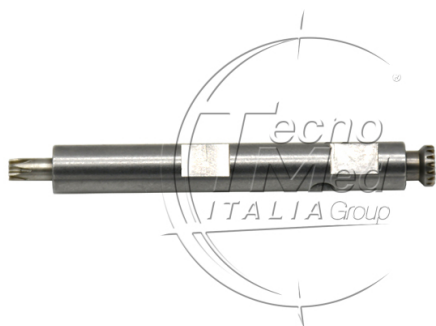


Driving shaft for contra-angle, KaVo e25l compatible



Available

SKU: KTRE25L

Categories: Intermediate shaft

Description

Transmission shaft compatible with Kavo e25L contra-angle. Precision spare part ensuring smooth and reliable transmission. Ideal for technical maintenance operations.